

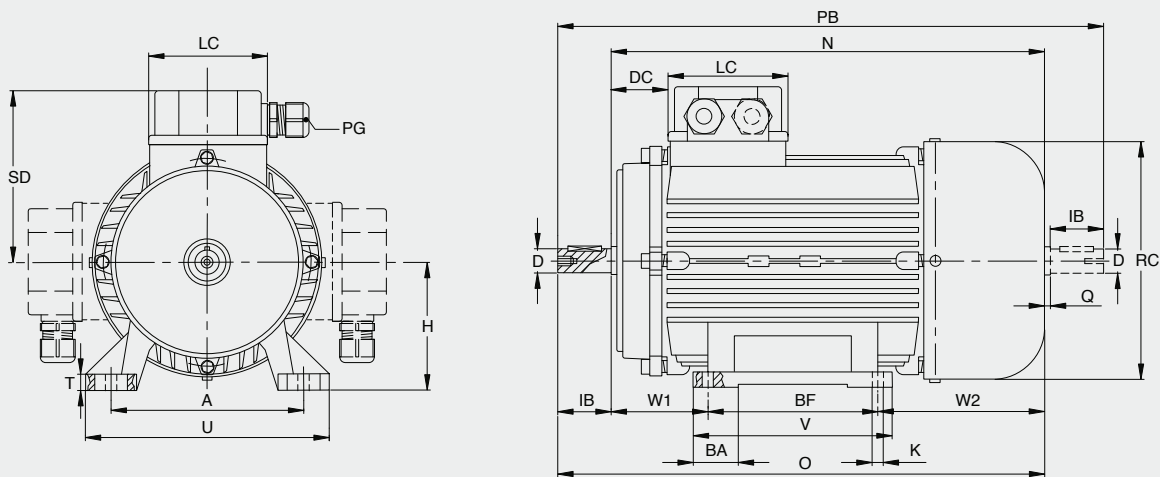
6 P		6 POLI / POLES 1000 rpm - V 230/400/50 Hz - V 230/400/50 Hz - dalla grandezza / from size 160 → 400/690/50 Hz																																
TIPO TYPE	Potenza Power		rpm	In 400 V A	Rend% Eff.%	Cosφ p.f.	Ia In	Ca Cn	Cmax Cn	Cn Nm	J kgm ²	Peso Weight Kg	TIPO TYPE	DC				AC				DC - S				POS.DC								
	kw	hp												CF Nm	Cicli/h Cycles/h ∅o	PB Watt	Peso Weight Kg	CF Nm	Cicli/h Cycles/h ∅o	PB VA	Peso Weight Kg	CF Nm	Cicli/h Cycles/h ∅o	PB Watt	Peso Weight Kg	CF Nm	Cicli/h Cycles/h ∅o	PB Watt	Peso Weight Kg					
																														CF Nm	Cicli/h Cycles/h ∅o	PB Watt	Peso Weight Kg	CF Nm
T56B	0,03	0,05	900	0,30	26,1	0,64	1,3	2,1	2,2	0,35	0,0002	2,6	AT56B*	1	21500	12	4,0	-	-	-	-	-	-	-	-	-	-	-	-	-	-	-	-	
T56C	0,06	0,08	860	0,44	31,8	0,61	1,4	2,1	2,2	0,65	0,0002	3,0	AT56C*	1	21500	12	5,0	-	-	-	-	-	-	-	-	-	-	-	-	-	-	-	-	
T63B	0,09	0,12	860	0,50	39,7	0,65	1,6	1,6	1,7	1,00	0,0003	3,8	AT63B	4	18000	20	5,0	5	18000	40	5,0	3	18000	18	5,0	7,5	18000	11,5	4,4					
T63C	0,13	0,18	880	0,70	45,8	0,57	2,0	2,2	2,3	1,40	0,0004	4,0	AT63C	4	18000	20	6,0	5	18000	40	6,0	3	18000	18	6,0	7,5	18000	11,5	4,6					
T71A	0,18	0,25	930	0,70	56,0	0,70	3,0	2,1	2,2	1,90	0,0006	5,7	AT71A	4	25000	20	7,0	5	25000	40	7,0	4	25000	18	7,0	7,5	25000	11,5	6,3					
T71B	0,25	0,35	880	0,80	55,3	0,81	2,5	1,5	1,6	2,70	0,0008	6,0	AT71B	4	25000	20	8,0	5	25000	40	8,0	4	25000	18	8,0	7,5	25000	11,5	6,6					
T71C	0,37	0,50	910	1,30	58,2	0,75	2,5	1,7	1,8	3,90	0,0010	6,5	AT71C	4	24000	20	8,0	5	24000	40	8,0	4	24000	18	8,0	7,5	24000	11,5	7,1					
T80A	0,37	0,50	940	1,20	61,5	0,71	3,6	2,1	2,3	3,80	0,0020	8,7	AT80A	8	16000	25	11,0	10	16000	70	11,0	9	16000	25	11,0	15,0	16000	16,0	9,8					
T80B	0,55	0,75	930	1,60	66,0	0,75	3,5	1,9	2,1	5,70	0,0025	10,5	AT80B	8	16000	25	13,0	10	16000	70	13,0	9	16000	25	13,0	15,0	16000	16,0	11,6					
T80C	0,75	1,00	920	2,20	66,4	0,75	3,4	1,9	2,1	7,90	0,0026	11,0	AT80C	8	15000	25	14,0	10	15000	70	14,0	9	15000	25	14,0	15,0	15000	16,0	12,1					
IE1 T90S	0,75	1,00	930	2,30	65,7	0,72	3,5	1,9	2,3	7,80	0,0035	12,0	AT90S	16	15000	30	17,0	20	15000	120	17,0	10	15000	25	15,0	30,0	15000	21,0	14,0					
IE1 T90L	1,10	1,50	920	3,00	68,8	0,79	3,4	1,7	2,1	11,60	0,0045	14,0	AT90L	16	13500	30	18,0	20	13500	120	18,0	10	13500	25	17,0	30,0	13500	21,0	16,0					
T90LB	1,50	2,00	940	4,50	70,0	0,68	4,0	2,2	2,3	15,20	0,0050	16,0	AT90LB	16	13000	30	19,5	20	13000	120	19,5	10	13000	25	18,5	30,0	13000	21,0	18,0					
IE1 T100A	1,50	2,00	940	3,90	74,3	0,76	4,3	2,0	2,4	15,50	0,0090	19,5	AT100A	32	10000	40	26,0	40	10000	160	28,0	12	10000	35	23,0	60,0	10000	28,0	23,0					
IE1 T100B	1,85	2,50	940	4,70	75,5	0,76	4,6	2,2	2,5	18,70	0,0100	21,0	AT100B	32	7500	40	28,0	40	7500	160	30,0	12	7500	35	25,0	60,0	7500	28,0	24,5					
T100BL	2,20	3,00	940	5,50	75,9	0,76	4,5	2,1	2,4	22,40	0,0110	23,0	AT100BL	32	7000	40	30,0	40	7000	160	32,0	12	7000	35	27,0	60,0	7000	28,0	26,5					
IE1 T112A	2,20	3,00	960	5,20	81,2	0,76	5,4	1,8	2,4	22,00	0,0150	30,0	AT112A	60	6000	50	39,0	60	6000	300	39,0	13	6000	35	40,0	60,0	6000	28,0	36,0					
T112B	3,00	4,00	960	6,80	81,9	0,79	5,4	1,6	2,3	30,10	0,0180	37,0	AT112B	60	5500	50	46,0	60	5500	300	46,0	13	5500	35	41,0	60,0	5500	28,0	43,0					
IE1 T132S	3,00	4,00	970	6,90	82,3	0,78	5,2	1,5	2,3	30,00	0,0300	43,0	AT132S	80	1600	55	56,0	90	1600	500	57,0	17	1600	35	48,0	120,0	1600	38,0	55,0					
IE1 T132M	4,00	5,50	970	9,40	84,8	0,73	5,8	1,8	2,5	39,60	0,0400	52,0	AT132M	80	1350	55	65,0	90	1350	500	66,0	17	1350	35	57,0	120,0	1350	38,0	64,0					
IE1 T132ML	5,50	7,50	970	12,20	85,0	0,77	5,0	1,6	2,2	54,40	0,0420	55,0	AT132ML	80	1100	55	68,0	90	1100	500	69,0	17	1100	35	60,0	120,0	1100	38,0	67,0					
IE1 T160M	7,50	10,00	960	15,00	85,0	0,85	5,2	2,1	2,2	74,60	0,0880	70,0	AT160M	150	1000	85	89,0	200	1000	600	85,0	30	1000	65	77,0	240,0	1000	45,0	91,0					
IE1 T160L	11,00	15,00	960	21,90	87,9	0,85	4,7	1,6	1,8	112,00	0,1060	90,0	AT160L	150	850	85	102,0	200	850	600	105,0	30	850	65	97,0	240,0	850	45,0	111,0					
IE1 T180L	15,00	20,00	970	30,00	88,0	0,82	5,4	2,0	2,3	147,74	0,1500	125,0	AT180L	260	200	100	144,0	400	200	600	144,0	-	-	-	-	480,0	650	70,0	146,0					
IE1 T200LA	18,50	25,00	975	36,00	88,0	0,84	5,6	2,3	2,5	181,28	0,2400	140,0	AT200LA	400	100	100	159,0	400	100	600	159,0	-	-	-	-	480,0	450	70,0	161,0					
IE1 T200LB	22,00	30,00	975	43,00	89,0	0,83	5,6	2,2	2,4	215,58	0,2800	160,0	AT200LB	400	100	100	179,0	400	100	600	179,0	-	-	-	-	480,0	450	70,0	181,0					

* no freni UL/CSA / Not available with UL/CSA brakes

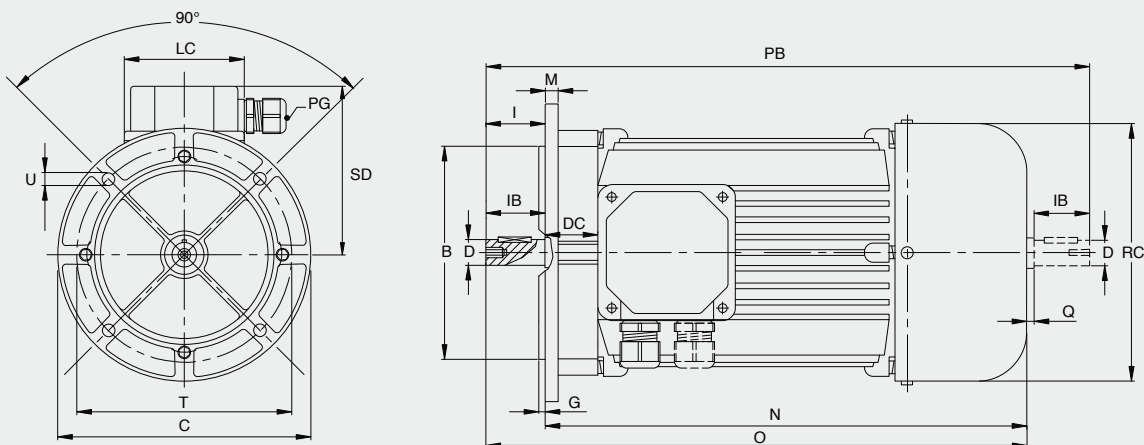
Dimensioni motori trifase e doppia polarità serie T - DP - HE2 - HE3** - IN
 Dimensions of three-phase and two-speed motors series T - DP - HE2 - HE3** - IN

In generale dalla grandezza 71 ÷ 200 piedi riportati / In generale dalla grandezza 71 ÷ 200 piedi riportati

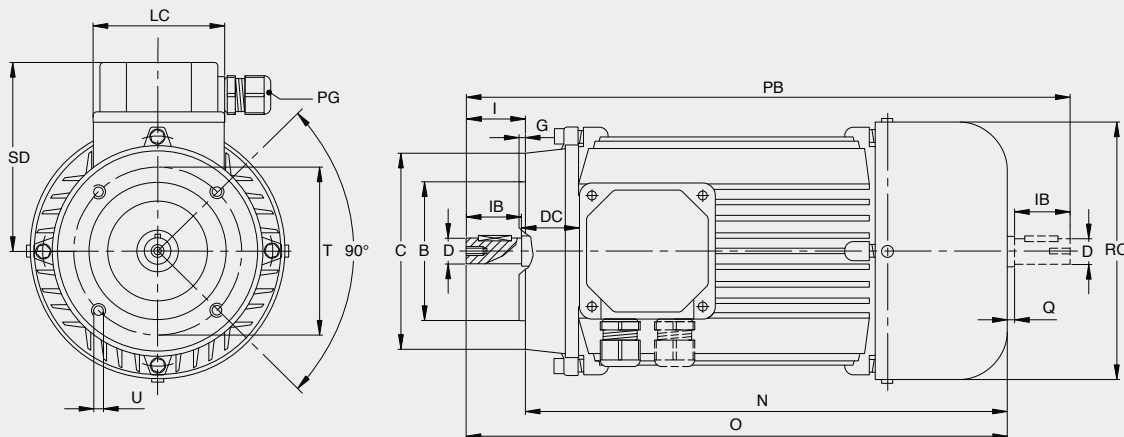
B3



B5



B14



* vedere pag. 45 ** su richiesta * see page 45 ** upon request

Tab. 37

Grand. / Size	50	56	63	71	80	90	100	112	132	160	180	200
F	3	3	4	5	6	8	8	8	10	12	14	16
D	9	9	11	14	19	24	28	28	38	42	48	55
GA	10,2	10,2	12,5	16,0	21,5	27,0	31,0	31,0	41,0	45,0	52,5	59,0
d		M4	M4	M5	M6	M8	M10	M10	M12	M16	M16	M20
LL	15	15	15	20	30	40	50	50	60	100	90	100

Grand. Size	Dimensioni / Dimensions																			B3	
	D	IB	A	BF	K	H	W1	W2	N	O	PG	RC	SD	TP	U	V	PB	Q	LC	DC	BA
56	9	20	90	71	6	56	36	61,0	168,0	188,0	M16	110	95	10	108	90	211,0	3	75	24	25
63	11	23	100	80	7	63	40	70,5	190,5	213,5	M16	123	100	10	120	105	239,5	3	75	28	27
71	14	30	112	90	8	71	48	80,0	218,0	248,0	M16	137	109	11	136	108	281,0	3	75	36	24
80	19	40	125	100	9	80	54	88,0	242,0	282,0	M20	156	123	13/14	154	125	326,0	4	91	35	30
90S	24	50	140	100	10	90	59	96,0	255,0	305,0	M20	176	128	13/15	170	130	358,0	3	91	40	30
90L	24	50	140	125	10	90	59	96,0	280,0	330,0	M20	176	128	13/15	170	155	383,0	3	91	40	32
100	28	60	160	140	13	100	63	109,0	312,0	372,0	M20	194	140	15/16	192	175	437,0	5	91	45	32
112	28	60	190	140	13	112	72	118,0	330,0	390,0	M20	218	148	15	224	176	455,0	5	91	47	34
132S	38	80	216	140	14	132	89	151,5	380,5	460,5	M32	258	177	16/18	260	180	546,5	6	106	57	37
132M	38	80	216	178	14	132	89	151,5	418,5	498,5	M32	258	177	16/18	260	218	584,5	6	106	57	37
160M	42	110	254	210	16	160	108	173,0	491,0	601,0	M32	309	220	18	318	260	718,0	7	165	118	52
160L	42	110	254	254	16	160	108	173,0	535,0	645,0	M32	309	220	18	318	304	-	-	165	118	52
180	48	110	280	280	16	180	120	210,0	610,0	720,0	M32	346	260	24	346	330	-	-	187	51	42
200	55	110	318	305	18	200	118	208,0	631,0	741,0	M32	348	260	26	398	355	-	-	187	62	54

Grand. Size	Dimensioni / Dimensions																			B5	
	D	I	B	C	G	M	N	O	PG	RC	SD	T	U	PB	Q	LC	DC	IB	LC	DC	BA
56	9	20	80	120	2,5	8,5	168,0	188,0	M16	110	95	100	7,0	211,0	3	75	24	20	75	24	25
63	11	23	95	140	2,5	10,0	190,5	213,5	M16	123	100	115	9,5	239,5	3	75	28	23	75	28	27
71	14	30	110	160	3,0	10,0	218,0	248,0	M16	137	109	130	9,5	281,0	3	75	36	30	75	36	24
80	19	40	130	200	3,0	11,0	242,0	282,0	M20	156	123	165	12,0	326,0	4	91	35	40	91	35	30
90S	24	50	130	200	3,5	10,0	255,0	305,0	M20	176	128	165	12,0	358,0	3	91	40	50	91	40	30
90L	24	50	130	200	3,5	10,0	280,0	330,0	M20	176	128	165	12,0	383,0	3	91	40	50	91	40	32
100	28	60	180	250	4,0	14,0	312,0	372,0	M20	194	140	215	14,5	437,0	5	91	45	60	91	45	32
112	28	60	180	250	4,0	14,0	330,0	390,0	M20	218	148	215	14,5	455,0	5	91	47	60	91	47	34
132S	38	80	230	300	4,0	20,0	380,5	460,5	M32	258	177	265	14,5	546,5	6	106	57	80	106	57	37
132M	38	80	230	300	4,0	20,0	418,5	498,5	M32	258	177	265	14,5	584,5	6	106	57	80	106	57	37
160M	42	110	250	350	5,0	20,0	491,0	601,0	M32	309	220	300	18,5	718,0	7	165	118	110	165	118	52
160L	42	110	250	350	5,0	20,0	535,0	645,0	M32	309	220	300	18,5	-	-	165	118	110	165	118	52
180	48	110	250	350	5,0	20,0	610,0	720,0	M32	346	260	300	19,0	-	-	187	51	110	187	51	42
200	55	110	300	400	5,0	20,0	631,0	741,0	M32	348	260	350	19,0	-	-	187	62	110	187	62	54

Grand. Size	Dimensioni / Dimensions																			B14	
	D	I	B	C	G	N	O	PG	RC	SD	T	U	PB	Q	LC	DC	IB				
50A	9	20	50	80	2,5	125,0	145,0	M16	98	77	65	M5	-	-	56	20	20				
50B	9	20	50	80	2,5	141,0	161,0	M16	98	77	65	M5	184,0	3	64	23	20				
56	9	20	50	80	2,5	168,0	188,0	M16	110	95	65	M5	211,0	3	75	24	20				
63	11	23	60	90	2,5	190,5	213,5	M16	123	100	75	M5	239,5	3	75	28	23				
71	14	30	70	105	3,0	218,0	248,0	M16	137	109	85	M6	281,0	3	75	36	30				
80	19	40	80	120	3,0	242,0	282,0	M20	156	123	100	M6	326,0	4	91	35	40				
90S	24	50	95	140	3,0	255,0	305,0	M20	176	128	115	M8	358,0	3	91	40	50				
90L	24	50	95	140	3,0	280,0	330,0	M20	176	128	115	M8	383,0	3	91	40	50				
100	28	60	110	160	4,0	312,0	372,0	M20	194	140	130	M8	437,0	5	91	45	60				
112	28	60	110	160	4,0	330,0	390,0	M20	218	148	130	M8	455,0	5	91	47	60				
132S	38	80	130	200	4,0	380,5	460,5	M32	258	177	165	M10	546,5	6	106	57	80				
132M	38	80	130	200	4,0	418,5	498,5	M32	258	177	165	M10	584,5	6	106	57	80				
160M	42	110	180	250	4,0	491,0	601,0	M32	309	220	215	M12	718,0	7	165	118	110				
160L	42	110	180	250	4,0	535,0	645,0	M32	309	220	215	M12	-	-	165	118	110				

B14 - grandezze 180 / 200 disponibili su richiesta B14 - sizes 180 / 200 available on request